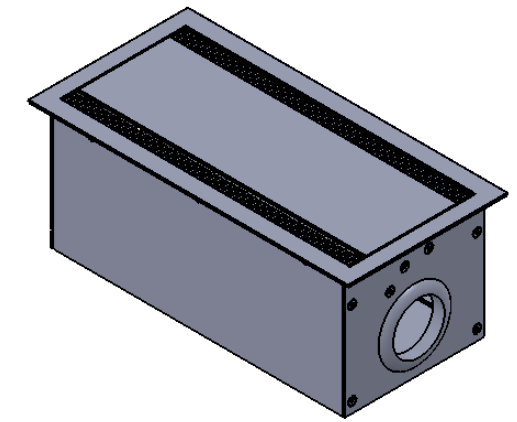



SECTION A-A
SCALE 1 : 3

Table cut out 286x135mm



| | | | | |
|---|-------------|---------------------|-----|--|
|  | | GÖTESSONS | | |
| Material | Art.nr. | Blad | A4 | |
| | 721000 | 1/1 | | |
| Skala | Sign. | Benämning | Rev | |
| 1:3 | Christian.G | Bi-Box 300 x 150 mm | | |
| | Datum | | | |
| | 12-11-02 | | | |