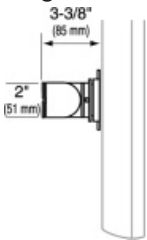


Ergotron® 100 Series

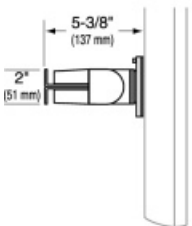
Dimensional Illustrations

for low profile systems

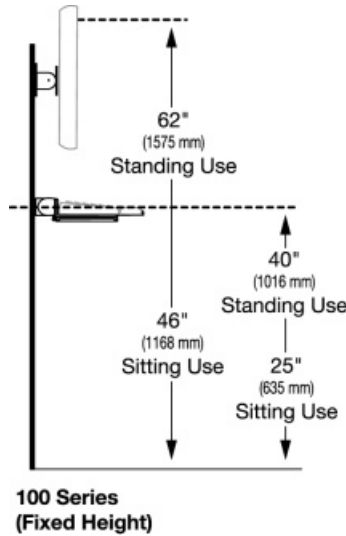
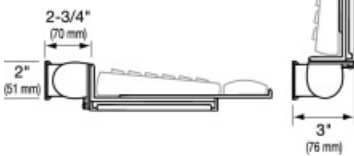
Single Pivot with P/L



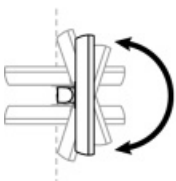
Double Pivot with P/L



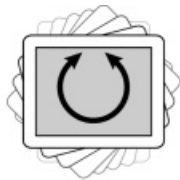
Keyboard/Laptop Pivot



Note: Actual range of motion depends on mounting surface and size of monitor.



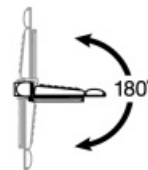
LCD tilts up to
180° forward/back



LCD rotates up to
360° portrait/landscape

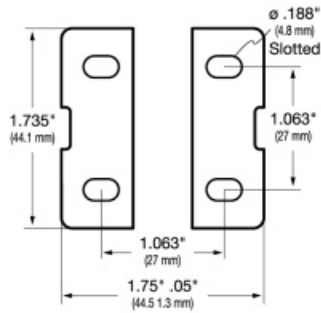


LCD pans up to
180° right/left

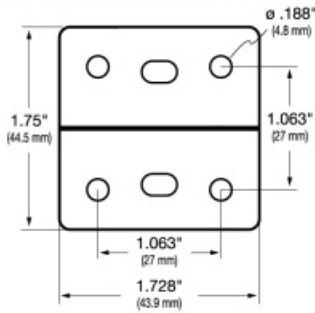


Keyboard tilts up to
180° forward/back

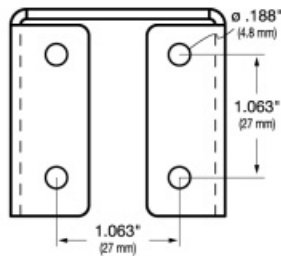
Single Pivot w/ P/L Interface



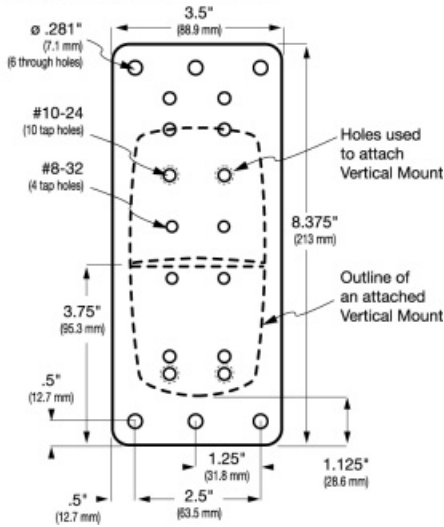
Double Pivot w/ P/L Interface



Extender Hole Pattern



Wall Mount Plate Hole Pattern



© 2006 Ergotron, Inc.
rev. 03/16/2006 DIM-026

Content is subject to change without notification.

Ergotron, Inc.: St. Paul, MN; (800) 888-8458;
www.ergotron.com; sales@ergotron.com

Ergotron Europe: Amsterdam, The Netherlands;
Tel. +31 20 312.29.39; info.eu@ergotron.com

Ergotron Asia: (800) 468-3917 ext. 7617;
info.apac@ergotron.com

