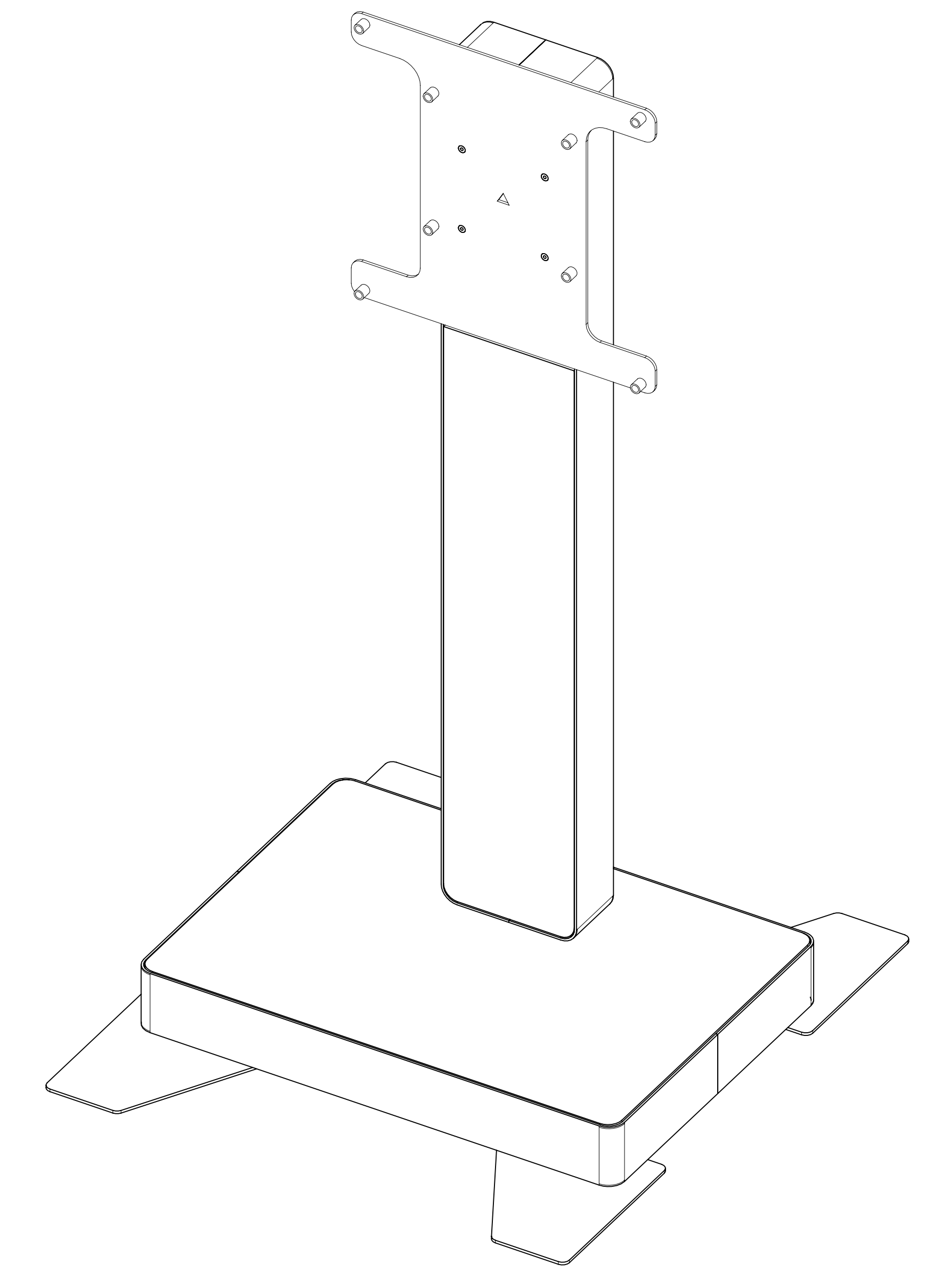
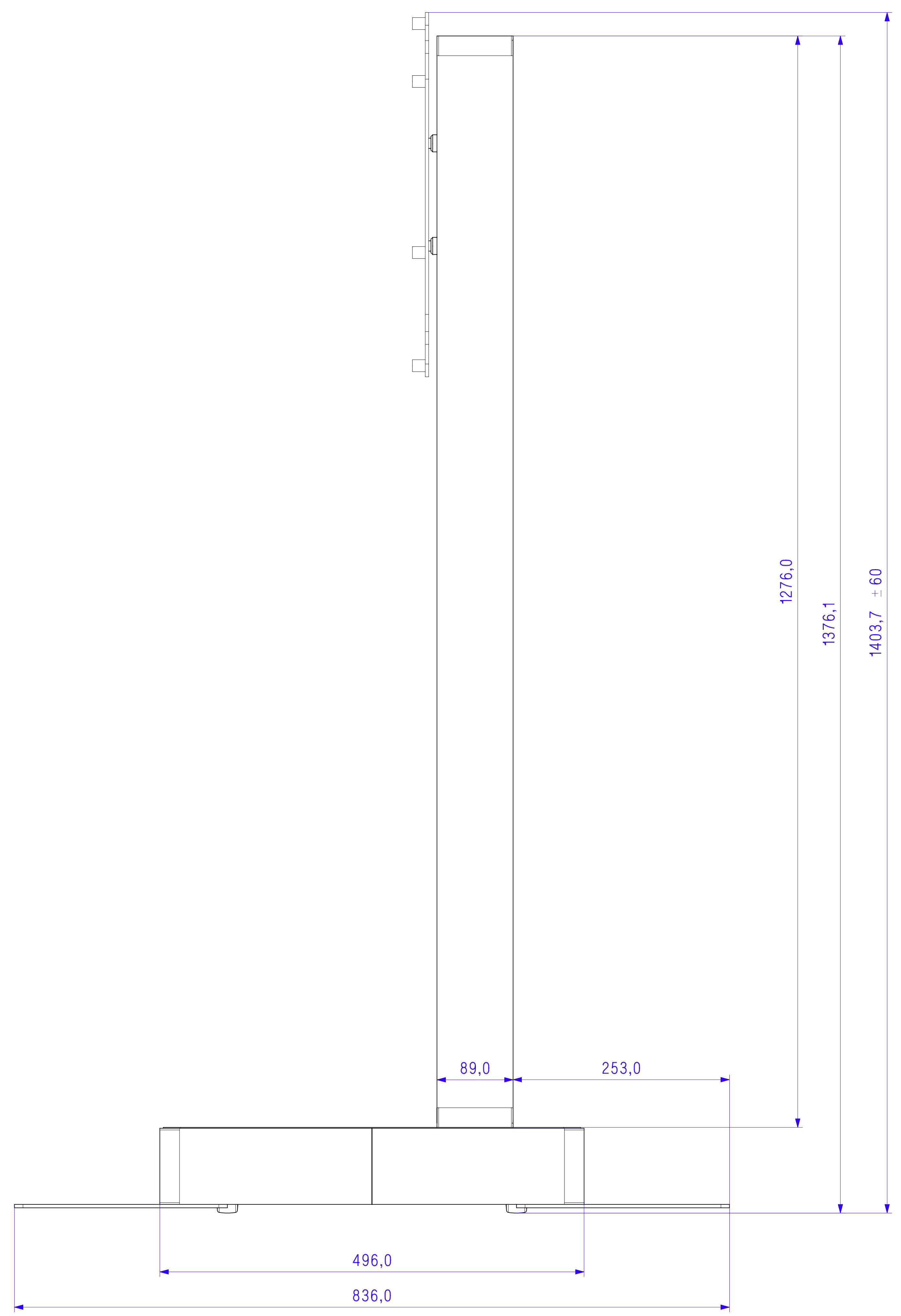
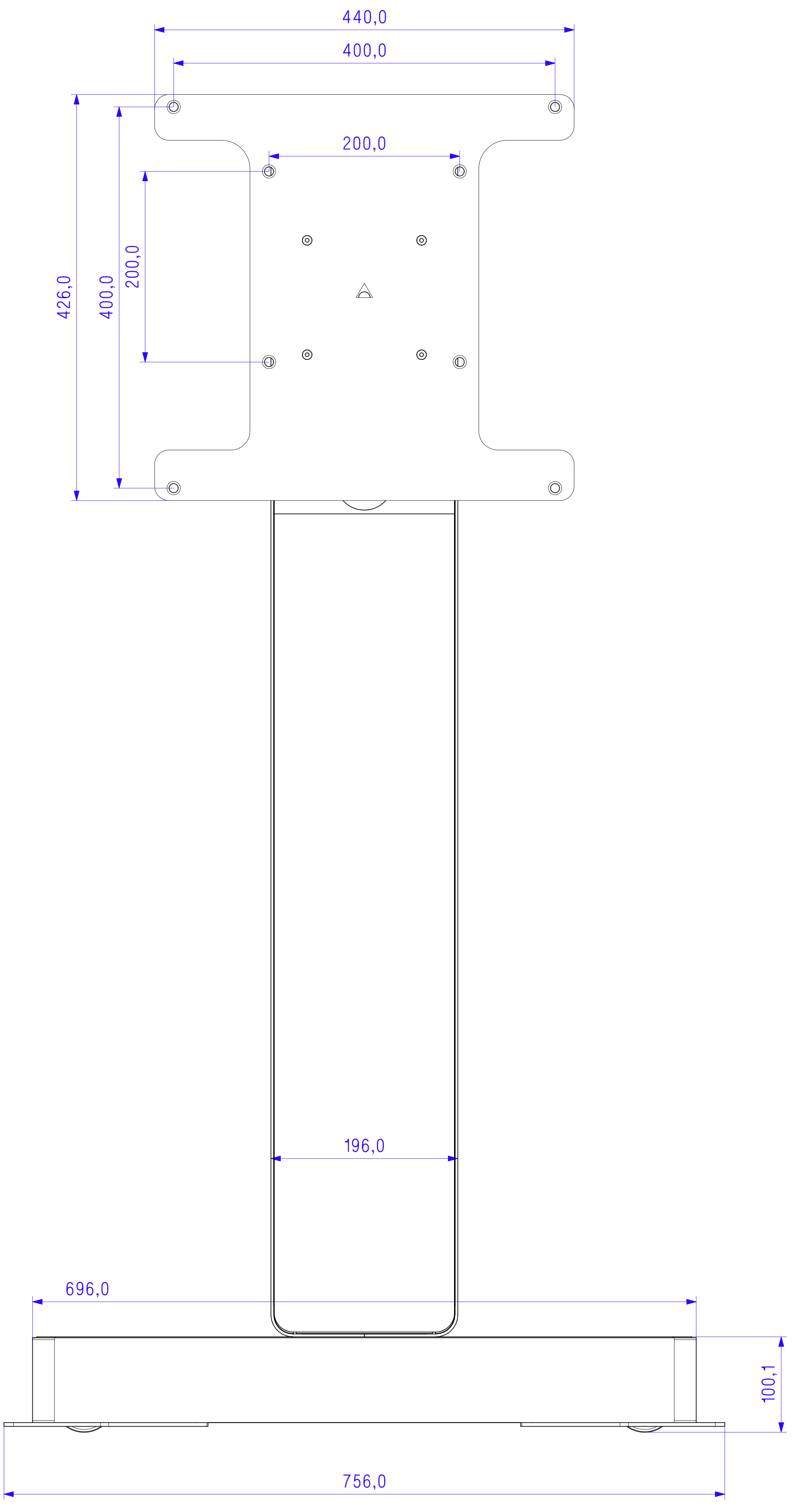


This drawing is property of SDC. Use or copy of this drawing without proper permission of the appropriate technical document managing department is prohibited. Copy with the threshold of substances which are specified in 004-2009

Rev.No		RECORD		REMARK	
ED	CODE				

STN-W4075E

SET DIMENSION : W756 x D836 x H1403.7 ± 60



PART NAME	UNIT	STN-W4075E	SPECIFICATION	PROJECT
TOLERANCE	MM			
SCALE				
DRAWING BY		REVIEWED BY		APPROVED BY
CODE No.		DWG. Rev		SHEET NO