

devolo

Home Control Starter Pack



— first steps —

Security ID:
www-wwww-wwww-wwww-wwww
S/N: 1405231112222221

Thank you for placing your trust in this devolo product.

Carefully read all instructions before setting up the device and store the instructions for later reference.

Icons



Very important note. Failure to observe this note may result in damage.



Important note that should be observed.



Background information and configuration tips for your device.

Intended use

Use the Home Control devices as described in these instructions and in the Home Control online help to prevent damage and injuries.

CE conformity



When used as intended, the products conform to the basic requirements of the directives 2014/53/EU, 2014/35/EU and the other relevant provisions of the Radio and Telecommunications Terminal Equipment Act (FTEG) and are designed for use in the EU, Switzerland and Norway. A printout of the CE declaration is included.

Safety notes

For general safety instructions, please refer to the chapter on **Safety notes** on page 17.

devolo Home Control

Home Control (also known as home automation) refers to the specific control of electrically operated indoor household devices. The Home Control system by devolo uses the Z-Wave™ wireless standard.



- i** *For more information on the control and configuration of all devolo Home Control devices, as well as application examples, please refer to the Home Control online help.*

The Home Control Central Unit

The Home Control Central Unit is the heart of the devolo Home Control system. It is equipped with a user interface, called the **Home Control portal**, which is used to coordinate all of your Home Control devices. Access to the Home Control portal is very easy both from the **my devolo app** and at **www.mydevolo.com** in a browser.

While the my devolo app lets you operate and control your Home Control devices easily and conveniently, access to the **Home Control portal** in your browser at **www.mydevolo.com** is offering you the **complete range of Home Control functions and benefits**. Among other tasks, you can carry out **initial** and **administrative actions** such as **initial registration** of the Home Control Central Unit or **teaching in** and **configuring** Home Control devices.

The Home Control Central Unit provides a button for dLAN encryption (home icon), a Home Control button (tickmark), a network (LAN) and a USB connection. The USB connection is provided for future applications and is not active at this time.

Figure is country-specific



Basic guidelines for setting up a Home Control network

When planning your Home Control network, consider the optimal placement of all devices with regard to the wireless range so as to best avoid weak signals and interference sources. Drawing up a sketch may help you to determine the desired locations of all your devices.

- *Weak signals due to attenuation can result from furniture, plants and especially metal objects which are located between the devices. Possible sources of interference include electrical devices such as a microwave or computer. In such instances, keep your device at least around 50 cm away from the source.*



Install the Home Control devices as described in an order from those nearest to those furthest from the Home Control Central Unit.

Connecting the Home Control Central Unit



The device is designed for indoor use only.

- ① Taking the above factors into consideration, plug the Home Control Central Unit into a wall outlet that is located centrally in your house or flat.
- ② **Connecting the Home Control Central Unit to the Internet router**
 - a To integrate the Home Control Central Unit into your **existing dLAN network** using the **Internet router**, **first** press the **home** or **encryption button** (for 1 second) on an **existing dLAN adapter** (e.g. the one on the Internet router) on your network, and **then** – within 2 minutes – press the **dLAN encryption button** with the home icon (for 1 second) on the **Home Control Central Unit**.

Or

- b To connect the Home Control Central Unit to the **LAN directly** at your **Internet router**, plug the **included network cable** into **both devices**.
- ③ As soon as you are connected to your **dLAN** or **LAN** network, the Home Control button (checkmark) on the device **illuminates white**. If the Home Control button flashes red, there is no connection to the Home Control Central Unit.



For the Home Control Central Unit to be recognised automatically in the Home Control portal when first installed, both the Home Control Central Unit and the device with which you are accessing it must be connected through the same LAN. If instead you use separate Internet connections, you have to enter the serial number of the Home Control Central Unit manually.

The serial number (e.g. S/N: 12312312312312) of the Home Control Central Unit is located on the title page of the installation guide and on the label on the rear of the unit's housing. If, in your case, the serial number has to be entered, it is done at the time the Home Control Central Unit is added to the portal, as described under instruction ⑨.

Registering the Home Control Central Unit for the first time

- ④ To register the Home Control Central Unit for the first time, use your **PC or laptop**. In your browser, go to **www.mydevolo.com**.
- ⑤ Select **Create an account** to register a new account.
- ⑥ After you have confirmed your data by clicking **Apply**, you will receive a registration message at the e-mail address you indicated while creating your account. Click the link **Finish registration**, after which you will receive an activation confirmation.
- ⑦ Click the **my devolo** link to return to the login page, where you can now use your existing user name and password to log in.
- ⑧ On the dashboard page, select **Home Control**.
- ⑨ There, add your Home Control Central Unit by clicking the **plus** button. Confirm your input with **Apply** and follow the instructions in the Home Control portal.

i *From now on, you can take electronic control conveniently using the Home Control portal of the Home Control Central Unit. For more information on time control and configuration, as well as application examples, please refer to the Home Control online help.*

The Home Control Smart Metering Plug

The Home Control Smart Metering Plug can be plugged into any wall outlet in the home. It enhances every connected device with useful functions, such as time-controlled enabling and disabling of power monitoring.



Figure is country-specific

- *For more detailed descriptions of the Home Control Smart Metering Plug functions, refer to the Home Control online help.*

Register the Home Control Smart Metering Plug at the Home Control Central Unit





Multiple Home Control Smart Metering Plugs must not be plugged into one another.



*To ensure the best possible wireless range for the Home Control Smart Metering Plug, **avoid positioning it behind objects that block the signal (attenuation) and avoid interference sources.** Weak signals due to attenuation can result from furniture, plants and especially metal objects which are located between the devices. Possible sources of interference include electrical devices such as a microwave or computer. In such instances, keep your device at least around 50 cm away from the source. **The device is designed for indoor use only.***

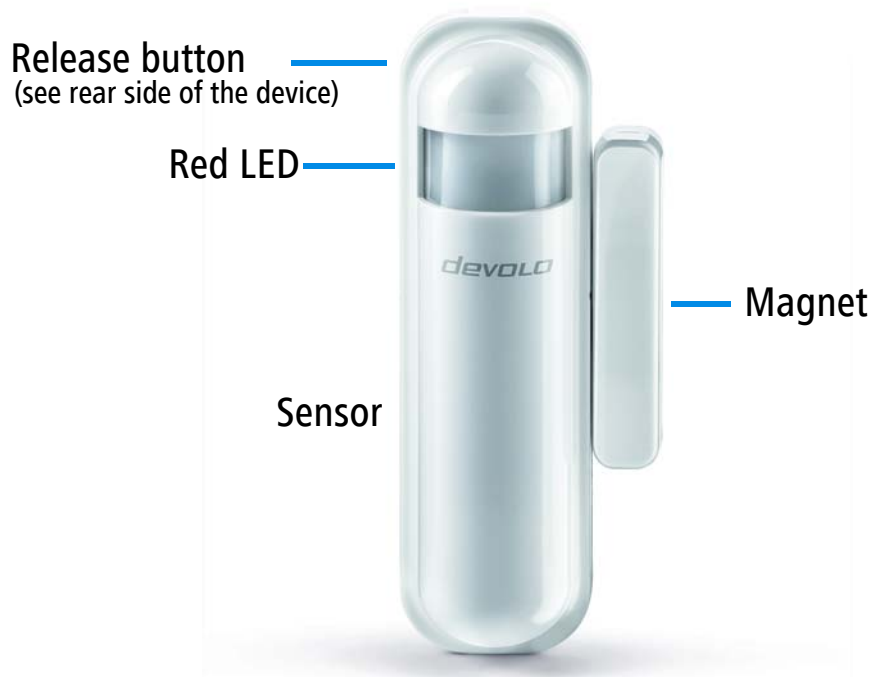


The Home Control Smart Metering Plug shuts off automatically if an overload > 3 kW occurs. To restore function to the Home Control Smart Metering Plug, unplug it for around 10 seconds, then plug it in again.

- ① Select a wall outlet while taking the above factors into consideration, then **lay** the Home Control Smart Metering Plug only **near** this outlet at first.
- ② If this is the first Home Control device that you are registering, a list of possible devices is displayed automatically when you register the Home Control Central Unit. Select **devolo Home Control Smart Metering Plug**. To add a device manually, call up your Home Control Central Unit and select **Devices**  **Add device**  **devolo Home Control Smart Metering Plug**. Continue to follow the instructions to log into your Home Control Central Unit.

The Home Control Door/Window Contact

The Home Control Door/Window Contact consists of a sensor and a magnet. It sends information on the open or closed state of a door or window. It also cooperates with other Home Control devices. For example, an open window can automatically shut off the heat radiator in the same room. In addition, the integrated light and temperature sensors can act as initiators for the light controls. Furthermore, the Home Control Central Unit is equipped with an integrated LED and a release button.



For more detailed descriptions of the Home Control Door/Window Contact functions, refer to the Home Control online help.

Batteries



Except for occasional battery replacement, the Home Control Door/Window Contact is completely maintenance-free. The device contains no user-serviceable parts!

Always keep batteries away from open flame and high temperatures. Avoid direct sunlight and heat radiation!

Always remove all batteries from battery-operated devices that are only in storage and are not in use. Old batteries can leak and damage the device!

When inserting the battery, make sure the polarity is correct. Using the battery incorrectly can damage the device!

Do not use rechargeable batteries!





The Home Control Door/Window Contact requires a commercially available CR123(A) lithium battery. For information on replacing the battery, please refer to the Home Control online help.

Register the Home Control Door/Window Contact at the Home Control Central Unit



Only use the Home Control Door/Window Contact indoors.

Avoid placing the Home Control Door/Window Contact in direct sunlight or radiant heat!

- ① **Without installing it**, place the Home Control Door/Window Contact near the location you would like it to be (such as a door or window ledge).
- ② Call up your **Home Control Central Unit** and select **Devices**  **Add device**  **devolo Home Control Door/Window Contact**. Follow the instructions in the Home Control portal for logging into your Home Control Central Unit.

Installing the Home Control Door/Window Contact

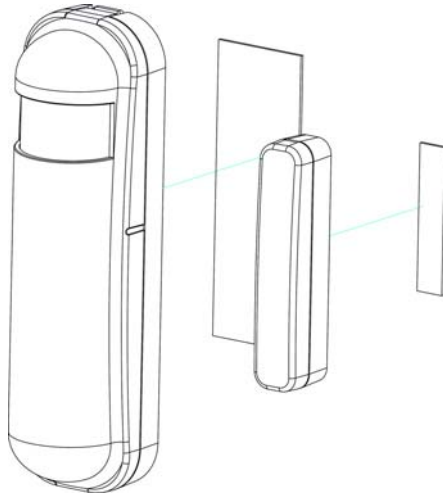
When installing the Home Control Door/Window Contact (sensor and magnet), one component is mounted to the moving part (window or door) and the other to the stationary part (frame). The magnet can be installed to the right or left, horizontal or vertical to the sensor. Determine the best installation position for your case.



Install the Home Control Door/Window Contact on a flat and level surface so that the black release button on the rear of the sensor is depressed when the device is mounted.

- ③ Before permanently fastening the Home Control Door/Window Contact at the desired location, test various positions to ensure that the magnet triggers the sensor. The distance between the sensor and magnet must be < 2 cm.
- ④ If the LED flashes red when the window or door is opened or closed, the position of the sensor is optimal.

- ⑤ **If using the double-sided tape to fasten the Home Control Door/Window Contact**, adhere the wider **tape strip to the middle** (below the release button) on the **rear** of the **sensor** and attach the sensor to the desired location, for example on the **window** or **door**.



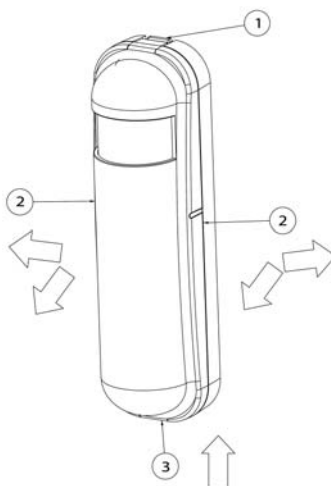
- ⑥ Then adhere the narrow **centre tape strip** to the **rear** of the **magnet** and fasten this at a distance of < 2 cm to the sensor, e.g. to the **window** or **door frame**.



The notches on the magnet and of the sensor should line up with one another.

or

- ⑦ **If you use screws to attach the Home Control Door/Window Contact**, take apart the upper and lower housing components of the sensor by pressing the tab down ① in order to release the housing components (from top to bottom, ② and ③).



- Take apart the upper and lower housing parts of the magnet, starting at the groove provided for this purpose at the lower end of the magnet.



If installing to a wall using screws, make sure that no gas, water or power lines in the wall get damaged. There is a danger of electric shock!

- Based on the template on the **lower housing component of the sensor**, drill holes at the desired installation location on the **window** or **door**, and then attach the lower component using screws.

- Based on the template on the **lower housing component of the magnet**, drill holes at the desired installation location on the **window frame** or **door frame** (distance of magnet to sensor < 2 cm), and then attach the lower component of the magnet using screws.



The notches on the magnet and of the sensor should line up with one another.

- To close the sensor housing, first insert the lower end of the **upper housing component of the sensor** into the corresponding groove **③** in the **lower housing component of the sensor** and then press the entire **upper housing component**, (from bottom to top, **③** and **②**) onto the lower component until it clicks into place.
- To close the magnet housing, insert the **upper housing component of the magnet** until it clicks into place onto the **lower housing component of the magnet**. This completes the installation of the Home Control Door/Window Contact.

From now on, you can take electronic control of the devices conveniently using the Home Control portal of the Home Control Central Unit.

For more information on the control and configuration of all devolo Home Control devices, as well as application examples, please refer to the Home Control online help.

Safety notes

It is essential to have read and understood all safety and operating instructions before the devolo device is used for the first time; keep them safe for future reference.



DANGER due to electricity

Users should never open devolo devices. **Opening the device poses a risk of electric shock!**

Users do not need to carry out any maintenance on devolo devices. In the event of damage, disconnect the devolo device from the mains supply by pulling it or its plug out of the power outlet. Then contact qualified specialist personnel (after-sales service) exclusively. Damage is deemed to have occurred, for example,

- if the power plug is damaged
- if the devolo device has been showered with liquid (e.g. rain or water).
- if the devolo device is inoperable.
- if the housing of the devolo device is damaged.

devolo devices may only be operated using a mains power supply, as described on the nameplate.

To disconnect devolo devices from the mains supply, pull the device itself or its mains plug from the power outlet. The power outlet and all connected network devices should be easily accessible so that you can pull the mains plug quickly if needed.

Only use devolo devices indoors and at a dry location.

Disconnect devolo devices from the mains supply to clean! Avoid solvent cleaning agents since they can cause damage to the housing. Only use a dry towel for cleaning.



DANGER due to overheating

Batteries should never be exposed to large amounts of heat, such as direct sunlight, fire or other heat sources.

Multiple devolo devices must not be interlocked.

devolo devices should only be installed at locations that guarantee adequate ventilation. Slots and openings on the housing are used for ventilation:

- Do not cover devolo devices when operating.
- Do not place any objects on devolo devices.
- Do not insert any objects into the openings of devolo devices.
- devolo devices must not be placed directly next to an open flame (such as fire or candles).
- devolo devices must not be exposed to direct heat radiation (e.g. radiator, direct sunlight).

It is normal for the housing to get a little warm when the device is plugged in.

Service and Warranty

Warranty: 3 years

If your devolo device is found to be defective during initial installation or within the warranty period, please contact the vendor who sold you the product. The vendor will take care of the repair or warranty claim for you. The complete warranty conditions can be found at www.devolo.com/warranty.

Great Britain	0203 024 18 38 (national rate)	support@devolo.co.uk
Sweden	0077 1400 480 (national rate)	support@devolo.se
Finland	972 519 125 (national rate)	support@devolo.fi
Norway	81 500 174 (national rate)	support@devolo.com
Denmark	070 136 001 (national rate)	support@devolo.dk
Other countries	+49 241 70 525 18 (international rate)	support@devolo.com

Disposal

Neither the Home Control devices nor their batteries may be disposed of with the household waste. Instead, you can return these at no charge at your municipal collection point or at the retailer (e. g. supermarket, specialist shop).

devolo

devolo AG

Charlottenburger Allee 60

52068 Aachen – Germany

www.devolo.com