

**Specification**

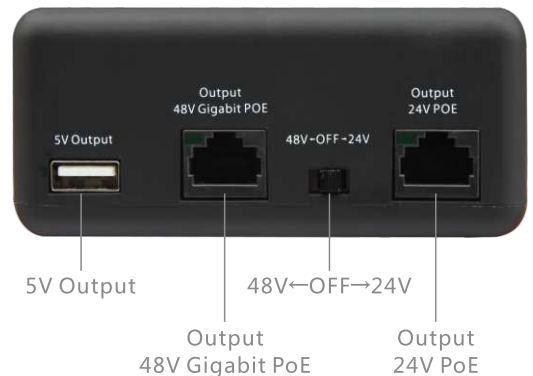
Size : 135\*100\*43mm  
 Weight : 0.6kg  
 Battery capacity : Li-Ion 7500mAh 12.6V/94.5Wh  
 Working temperature : -10°C to 60°C

<b>Input :</b>	<b>Output :</b>
Input voltage : 12.6V	USB : 5V/2A
Input electric current : 2A	DC : 12V/3A
Charging period : 4h	POE : 24V/1A
	POE : 48V/0.5A Gigabit

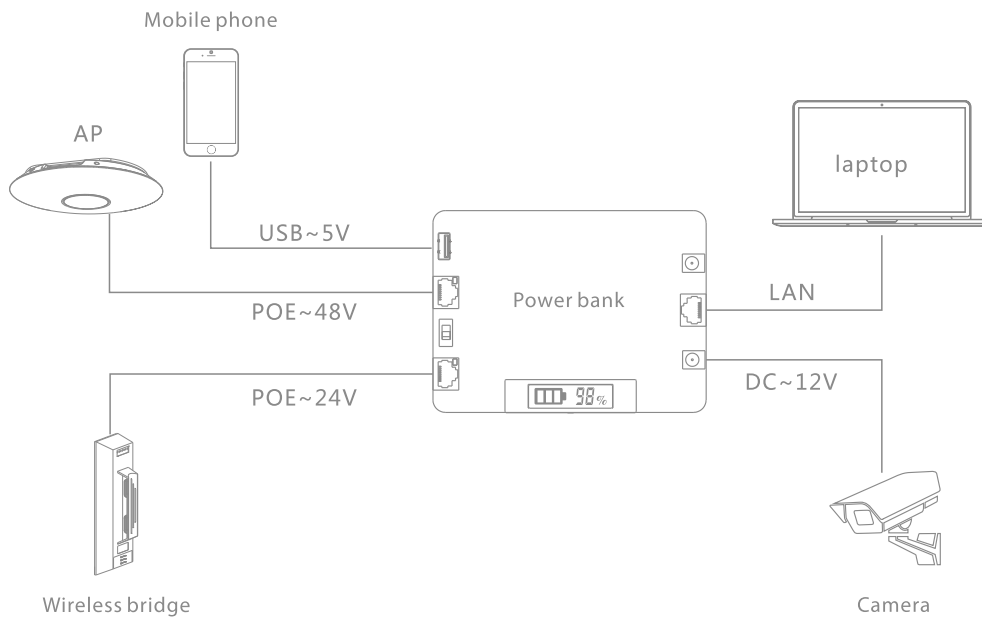


**Product features**

Battery life: In the conditions of full power consumption of 10W,battery life is larger than 12 hours.  
 Battery status display: Constantly power monitoring which is showing clearly .  
 Interface output: USB/DC/POE can output simultaneously.  
 Strong compatibility: Support Cellphone, laptop, camera, wireless bridge, AP, Router etc.  
 Safety design: Overcharge, over current and short-circuit protection.



## Using Instruction



## Application

