



DCS-4605EV

5-Megapixel Vandal-Proof Outdoor Dome Camera

Features

Exceptional Video Quality

- 1/2.9" 5 megapixel progressive CMOS sensor
- Maximum resolution of 2560 x 1920
- Wide Dynamic Range (WDR) image enhancement
- H.265, H.264, MJPEG codec support for streaming and recording
- Motion detection
- Privacy mask

Outdoor Placement

- Built-in IR LED illuminator with a 20-meter range for use in dark areas
- Range of mounting options for flexible placement
- Rugged IP66 weatherproof housing
- IK10 vandal-proof housing to protect unit when mounted outdoors

Flexibility

- 10/100 Fast Ethernet port
- Power over Ethernet (PoE) ensures easy and flexible integration into your network
- microSD card slot for onboard storage¹

The D-Link DCS-4605EV 5-Megapixel Vandal-Proof Outdoor Dome Camera is a high-definition professional surveillance solution suitable for small, medium, and large enterprises. The camera uses a high-sensitivity 1/2.9" 5-megapixel progressive scan CMOS sensor with onboard WDR image enhancement to deliver truly superior quality video in all conditions. The all-in-one rugged design makes this camera extremely reliable and ideal for deployment in surveillance applications without the need for additional accessories.

High-Quality Streaming & Recording

To maximise bandwidth efficiency and improve image quality, the DCS-4605EV provides real-time video compression using the H.265, H.264 and MJPEG codecs, supporting three separate profiles for simultaneous video streaming and recording. Video resolutions of up to 2560 x 1920 provide clear details, and noise reduction and support for simultaneous video streams improves quality in case forensic work is required for evidence. Additional support for motion detection, event management features, and ePTZ allow for implementation in a wide variety of surveillance applications such as monitoring public areas to detect incidents and to coordinate responses, enforcing access control to restricted areas, deterring criminal activity, or monitoring inventory.

Versatile Monitoring in All Environments

The DCS-4605EV features WDR image enhancement to deliver improved image quality in conditions with uneven or difficult lighting, so you can identify subjects that are backlit or in brightly-lit areas. In low-light situations, the IR-cut filter automatically slides out of the way to use all available light. The DCS-4605EV also has built-in IR LED illuminators with a 20-metre range, allowing the camera to keep watch even in complete darkness. IP66 certification ensures the camera is completely protected from dust and water in any environment and IK10 certified vandal-proof housing makes sure it keeps recording even when intruders attempt to sabotage the camera. These features work together to give you a reliable surveillance camera capable of monitoring indoors or outdoors 24/7.

5-Megapixel Vandal-Proof Outdoor Dome Camera

Robust Management Software

The DCS-4605EV 5-Megapixel Vandal-Proof Outdoor Dome Camera includes D-ViewCam, a complete surveillance software package that enables you to view, manage, and record from up to 32 cameras on a single computer in a central location. Recordings and e-mail alerts can be triggered upon motion detection or by digital input devices. This feature automatically keeps a record of any unusual activity and notifies administrators when no one is around to monitor on-site.

Flexible Connectivity

The DCS-4605EV has built-in 802.3af-compliant PoE support that simplifies installation by providing power and networking connectivity over a single standard network cable. This feature can speed along installation by reducing the need to lay extra electrical wiring and install outlets in the location since a power supply is not required.



5-Megapixel Vandal-Proof Outdoor Dome Camera DCS-4605EV

5 Megapixel Quality and H.265 Compression

- An ultra-sharp 5 megapixel sensor and H.265 compression to strike a perfect balance between high image quality and streaming bandwidth efficiency

Rugged Construction

- IP66 weatherproof housing and IK10 vandal-proof housing makes the DCS-4605EV ideal for the most demanding of surveillance applications

Complete Day/Night Surveillance Solution

- Keep watch over an area 24 hours a day with built-in night vision; the IR LEDs and automatic IR-cut filter give you a clear picture, even in complete darkness

Free D-ViewCam™ Video Management Software DCS-100

Bundled free with D-Link network cameras D-ViewCam enables users to centrally manage multiple cameras for home or businesses.

Supporting up to 32 network cameras and up to 64 users, D-ViewCam is compatible with all current D-Link network cameras and video servers, offers digital monitoring and recording with a wide array of features including simultaneous video recording, playback and live view.

D-ViewCam offers scheduled, motion and manual recording. Recorded files can be searched by video type and selected files can be played, edited and converted into AVI or ASF files. The e-map mode in the application allows users to arrange a map with camera locations and orientation, while additional features such as auto-patrol, rotate, zoom, and focus provide optimal control over video surveillance.



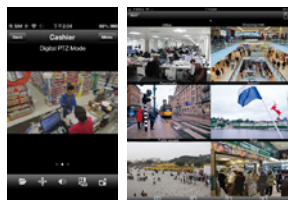
Playback view



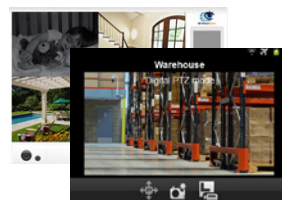
Live view

D-ViewCam Mobile

Keep an eye on your surveillance cameras anytime, anywhere with D-Link's D-ViewCam Mobile app. The D-ViewCam Mobile app makes it easy to check on your business no matter where you are, no matter what time of day it is.



For iPhones/iPads



For Android devices



D-ViewCam



5-Megapixel Vandal-Proof Outdoor Dome Camera

Technical Specifications

Camera

Camera Hardware Profile	<ul style="list-style-type: none"> • 1/2.9" 5-megapixel progressive CMOS sensor • 20 metre IR illumination distance • Minimum illumination: <ul style="list-style-type: none"> • 0.01 lux / F2.0 (colour) • 0.008 lux / F2.0 (B/W) • 0 lux / F2.0 (IR-LED on) • Built-in Infrared-Cut Removable (ICR) Filter module • 10x digital zoom • Minimum object distance 0.5 metre 	<ul style="list-style-type: none"> • Focal length: 2.8 mm • Aperture: F2.0 • Angle of view (4:3): <ul style="list-style-type: none"> • (H) 87° • (V) 65° • (D) 110° • Adjustment angle (non-motorised): <ul style="list-style-type: none"> • Vertical: 30~90° • Horizontal: -120~120°
Camera Housing	<ul style="list-style-type: none"> • IP66-compliant weatherproof housing 	<ul style="list-style-type: none"> • IK10 vandal-proof housing
Image Features	<ul style="list-style-type: none"> • Configurable image size, quality, frame rate, and bit rate • Configurable motion detection windows • Configurable privacy mask zones • Configurable shutter speed, brightness, saturation, contrast, sharpness and 3D filter 	<ul style="list-style-type: none"> • Auto White Balance (AWB) • Auto Gain Control (AGC) • Wide Dynamic Range (WDR) • Time stamp and text overlays
Video Compression	<ul style="list-style-type: none"> • Simultaneous H.265/H.264/MJPEG format compression • H.265/H.264/MJPEG multicast streaming 	<ul style="list-style-type: none"> • JPEG for still images
Video Resolution	<ul style="list-style-type: none"> • 16:9 - 2592 x 1440 up to 15 fps, 1920 x 1080, 1280 x 720, 800 x 448, 640 x 360 up to 30 fps 	<ul style="list-style-type: none"> • 4:3 - 2560 x 1920 up to 15 fps, 1600 x 1200, 1440 x 1080, 1280 x 960, 800 x 600, 640 x 480 up to 30 fps
External Device Interfaces	<ul style="list-style-type: none"> • 10/100BASE-TX Fast Ethernet port 	<ul style="list-style-type: none"> • Supports 802.3af PoE Class 3

Network

Network Protocols	<ul style="list-style-type: none"> • IPv6 • IPv4 • ARP • TCP/IP • UDP • ICMP • DHCP client • NTP client (D-Link) • DNS client • DDNS client (D-Link) • SMTP client • FTP client 	<ul style="list-style-type: none"> • HTTP/HTTPS • Samba client • PPPoE • UPnP port forwarding • RTP/RTSP/RTCP • IP filtering • Multicast • CoS • QoS/DSCP • SNMP • 802.1x port-based authentication • ONVIF-compliant
Security	<ul style="list-style-type: none"> • Administrator and user group protection • Password authentication 	<ul style="list-style-type: none"> • HTTP and RTSP authentication

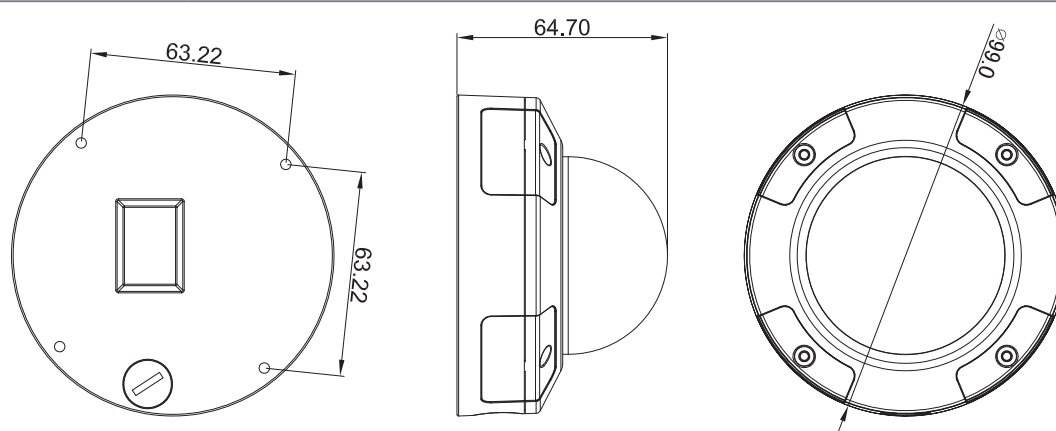
System Management

Event Management	<ul style="list-style-type: none"> • Motion detection • Tamper detection • Event notification and uploading of snapshots/video clips via e-mail or FTP 	<ul style="list-style-type: none"> • Supports multiple SMTP and FTP servers • Multiple event notifications • Multiple recording methods for easy backup
Remote Management	<ul style="list-style-type: none"> • Take snapshots/video clips and save to local hard drive 	<ul style="list-style-type: none"> • Configuration interface accessible via web browser
System Requirements for Web Interface	<ul style="list-style-type: none"> • Operating System: Microsoft Windows 10 / 8 / 7 	<ul style="list-style-type: none"> • Browser: Internet Explorer, Firefox, Chrome
D-ViewCam™ System Requirements	<ul style="list-style-type: none"> • Operating System: <ul style="list-style-type: none"> • 32-bit: Windows 8 / 7 (SP1) • 64-bit: Windows 10 / 8 / 7 (SP1) / Server 2012 / Server 2008 R2 	<ul style="list-style-type: none"> • Web Browser: Internet Explorer 7 or higher • Protocol: Standard TCP/IP
D-ViewCam™ Software Functions	<ul style="list-style-type: none"> • Remote management/control of up to 32 cameras • Supports all management functions provided in web interface 	<ul style="list-style-type: none"> • Viewing of up to 32 cameras on one screen • Scheduled motion triggered, or manual recording options

5-Megapixel Vandal-Proof Outdoor Dome Camera

General		
Weight	• 365 g \pm 5%	
External Power Adapter (not included)	• Input: 100 to 240 V AC, 50/60 Hz	• Output: 12 V DC 1.5 A
Power Consumption	• 6 W \pm 5% (PoE)	
Temperature	• Operating: -30 to 50 °C (-22 to 124 °F)	• Storage: -20 to 70 °C (-4 to 158 °F)
Humidity	• Operating: 20% to 80% non-condensing	• Storage: 5% to 95% non-condensing
Certifications	• CE • CE LVD	• FCC • RCM

Dimensions



Optional Accessories

Model Name	• Wall-Mount Bracket	• Ceiling-Mount Bracket	• Angled Ceiling-Mount Bracket
Model Number	• DCS-37-1	• DCS-37-2	• DCS-37-3
Product Image			
Dimensions (L x W x H)	• 183 x 120 x 90 mm	• \varnothing 117 x 40 mm	• \varnothing 129 x 72.1 mm

¹The camera is compatible with microSD cards up to v3.01 and is not compatible with v4.x cards.



For more information: www.dlink.com

D-Link European Headquarters. D-Link (Europe) Ltd., First Floor, Artemis Building, Odyssey Business Park, West End Road, South Ruislip HA4 6QE, United Kingdom. Specifications are subject to change without notice. D-Link is a registered trademark of D-Link Corporation and its overseas subsidiaries. All other trademarks belong to their respective owners. ©2018 D-Link Corporation. All rights reserved. E&OE.

Updated July 2018

D-Link[®]